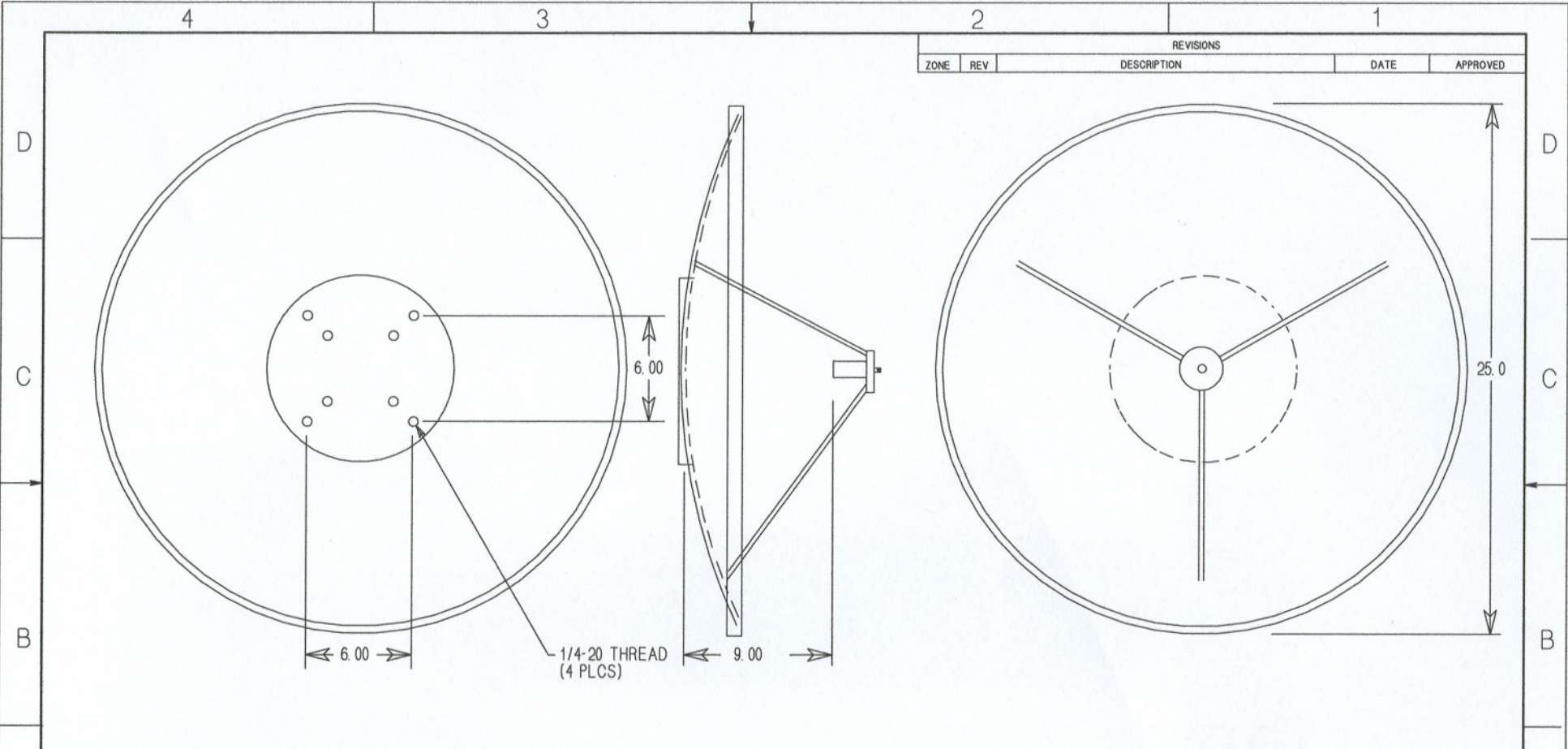


REVISIONS				
ZONE	REV	DESCRIPTION	DATE	APPROVED



PART NO.	FREQUENCY	GAIN (MID-BAND)	VSWR(MAX)	BEAMWIDTH
RA-4710-21	.5-1.0 GHz	10.5 dBi	3.0:1	48.0 DEG.
RA-4710-22	1.0-2.0 GHz	17.6 dBi	3.0:1	24.0 DEG.
RA-4710-23	2.0-4.0 GHz	23.0 dBi	2.5:1	12.0 DEG.
RA-4710-24	4.0-8.0 GHz	29.0 dBi	2.5:1	6.0 DEG.
RA-4710-25	8.0-18.0 GHz	35.0 dBi	2.5:1	3.0 DEG.
RA-4710-26	18.0-26.6 GHz	40.0 dBi	2.5:1	1.6 DEG.

UNLESS OTHERWISE SPECIFIED  
DIMENSIONS ARE IN INCHES

TOLERANCES ARE:  
DECIMALS X = .1      ANGLES X = 1  
XXX = .01  
XXX = .005

DO NOT SCALE DRAWINGS  
THE INFORMATION CONTAINED WITHIN  
IS CONSIDERED PROPRIETARY. THIS  
DOCUMENT IS NOT TO BE USED,  
REPRODUCED OR DISCLOSED IN PART OR  
IN WHOLE WITHOUT THE PRIOR  
WRITTEN PERMISSION OF  
Rozendal Associates.

CONTRACT NO.		ROZENDAL ASSOCIATES INC. 9530 Pathway St. Santee, Ca. 92071	
APPROVALS	DATE	TITLE	
DRAWN G. SKINNER	12/20/02	ANTENNA, 2' DIAMETER	
CHECKED		SIZE B	CAGE CODE* 65736
ENGINEERING		DWG NO.	RA-4710-X
ISSUED		SCALE NONE	SHEET 1 OF 1

1000 00