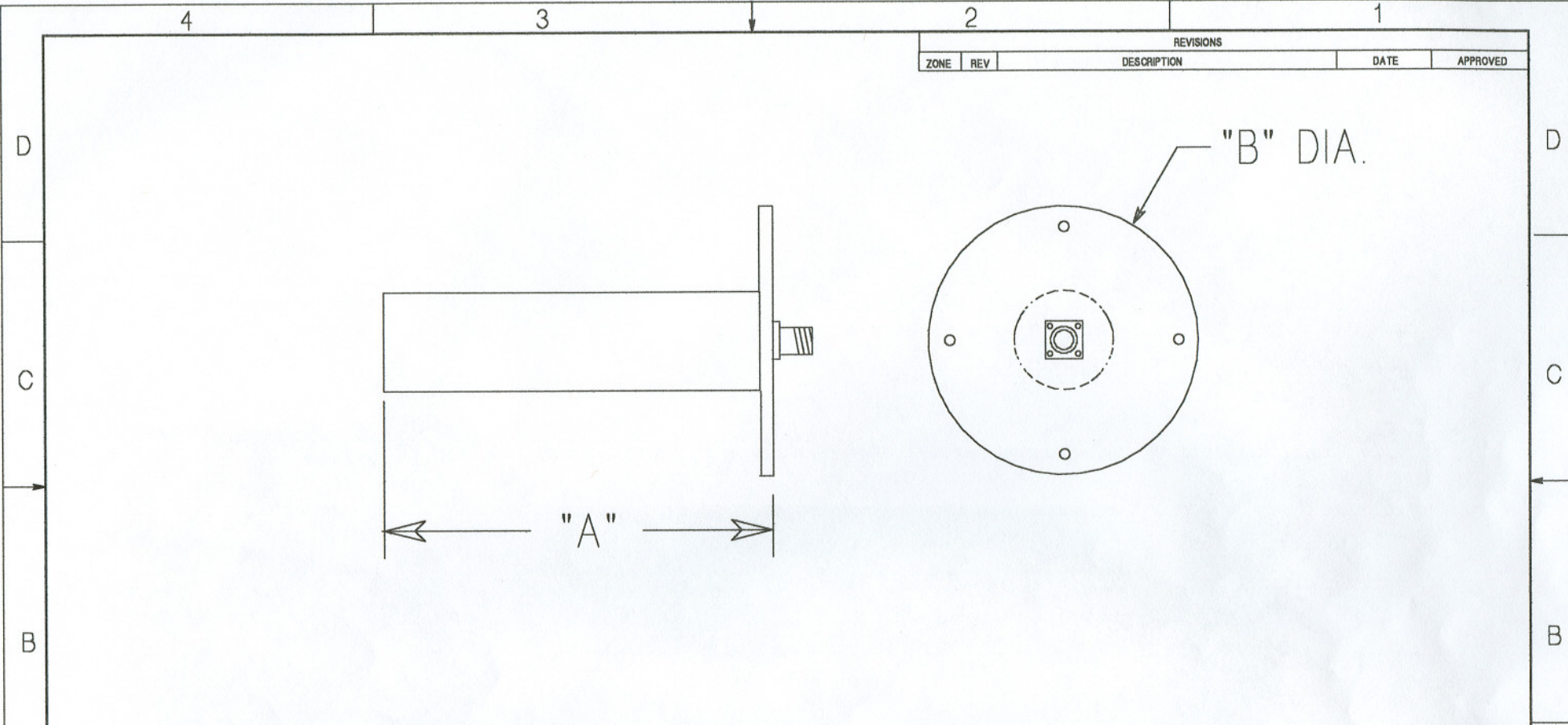


REVISIONS				
ZONE	REV	DESCRIPTION	DATE	APPROVED



DASH #	FREQ. (GHz)	VSWR	GAIN	"A"	"B"
-1	1.7-1.85	2.0:1	9 dBi	30.5	3.0
-2	1.7-1.85	2.0:1	6 dBi	17.3	3.0
-3	1.43-1.54	2.0:1	9 dBi	30.5	3.0
-4	4.4-5.0	2.0:1	6 dBi	-	3.0

<small>UNLESS OTHERWISE SPECIFIED DIMENSIONS ARE IN INCHES TOLERANCES ARE: DECIMALS ANGLES .X -.1 .X -.1 .XX -.01 .XX -.1 DO NOT SCALE DRAWINGS THE INFORMATION CONTAINED WITHIN IS CONFIDENTIAL PROPERTY OF THIS DOCUMENT IS NOT TO BE USED, REPRODUCED OR DISCLOSED IN PART OR IN WHOLE WITHOUT THE PRIOR WRITTEN PERMISSION OF Rozenal Associates</small>	CONTRACT NO.		ROZENDAL ASSOCIATES INC. 8530 Pathway St. Santa Fe, Co. 87571		
	APPROVALS	DATE	TITLE		
	DRAWN G. SKINNER	6-11-92	CO-LINEAR ANTENNA		
	CHECKED		SIZE B	CAGE CODE*	DWG NO RA-1900
ISSUED		SCALE NONE	CAGE CODE*	SHEET 1	OF 1