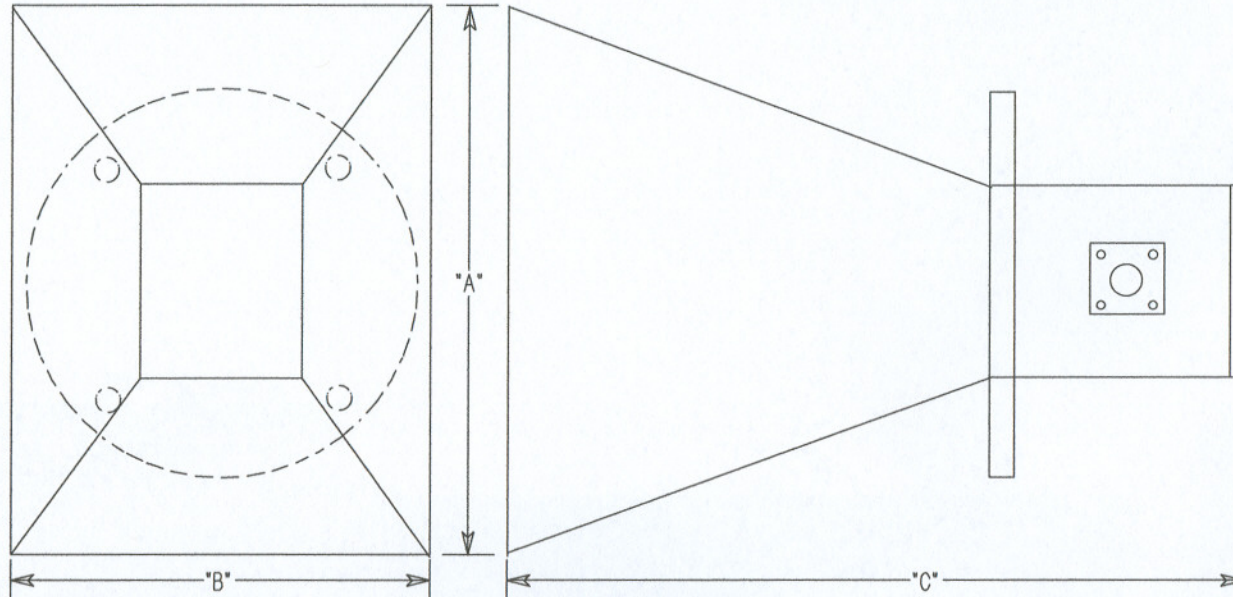


REVISIONS				
ZONE	REV	DESCRIPTION	DATE	APPROVED



PART NO.	FREQUENCY	GAIN (MID-BAND)	VSWR(MAX)	"A"	"B"	"C"	E-plane B/W	H-plane B/W
RA-3150-1	0.8-1.2 GHz	12.0 dBi	1.50	17.5	12.9	20.0	47.5 DEG.	43.6 DEG.
RA-3160-1	1.2-2.0 GHz	15.4 dBi	1.50	17.5	12.9	20.0	26.4 DEG.	27.2 DEG.
RA-4230-3	1.9-2.3 GHz	17.0 dBi	1.30	18.0	14.0	22.0	20.4 DEG.	22.1 DEG.
RA-4230-2	2.0-3.0 GHz	15.0 dBi	2.0	9.90	7.60	18.3	32.5 DEG.	33.7 DEG.
RA-0TBD	2.5-3.5 GHz	-----	-----	-----	-----	-----		
RA-0TBD	3.5-4.2 GHz	17.0 dBi	1.50	9.90	7.50	18.0	20.8 DEG.	21.7 DEG.
RA-3930-1	4.4-5.0 GHz	20.0 dBi	1.30	10.4	7.60	18.0	16.8 DEG.	16.9 DEG.
RA-3970-1	5.85-7.2 GHz	20.0 dBi	1.30	7.00	5.00	14.5	18.3 DEG.	18.0 DEG.
RA-3970-2	7.1-8.5 GHz	22.7 dBi	1.50	9.50	7.00	15.5		
RA-3970-3	8.5-10.6 GHz	22.2 dBi	1.50	7.65	5.67	12.5	11.4 DEG.	11.2 DEG.
RA-0TBD	10.6-13.3 GHz	22.0 dBi	1.50	6.61	4.90	12.0	10.6 DEG.	10.4 DEG.
RA-0TBD	14.4-15.35 GHz	23.5 dBi	1.30	5.175	4.125	10.5	10.2 DEG.	11.0 DEG.

UNLESS OTHERWISE SPECIFIED
DIMENSIONS ARE IN INCHES

TOLERANCES AND:
DECIMALS X = ± 0.005
XXX - 0.005
XXXX - 0.002

DO NOT SCALE DRAWINGS

THE INFORMATION CONTAINED HEREIN
IS CONSIDERED PROPRIETARY. THIS
DOCUMENT IS NOT TO BE USED,
REPRODUCED OR DISCLOSED IN PART OR
IN WHOLE WITHOUT THE PRIOR
WRITTEN PERMISSION OF
Rozendal Associates

CONTRACT NO.		ROZENDAL ASSOCIATES INC. 9530 Pathway St. Santee, Ca. 92071	
APPROVALS	DATE	TITLE	
DRAWN G. SKINNER	7-13-04	HORN ASSY., LINEAR, TYPE "N"	
CHECKED		SIZE B	DWG. NO. RA-0TBD
ENGINEERING		CAGE CODE	REV
ISSUED		SCALE	CAGE CODE
			OF