

4

3

2

1

D

C

B

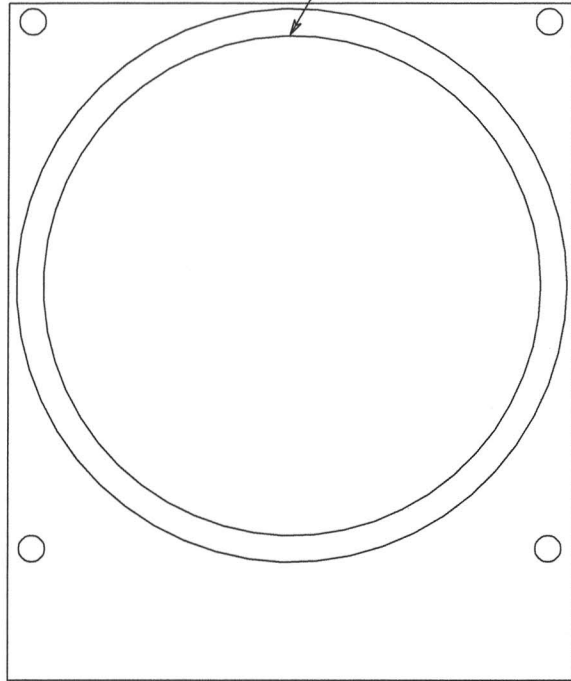
A

D

C

B

A



10.00

PART NO.	FREQUENCY	GAIN (MID-BAND)	VSWR	"A"	"B"	BEAMWIDTH
RA-4540-5	4.0-6.0 GHz	18.0 dBi	1.7:1	8.5	11.68	16 DEG.
RA-4540-7	6.0-8.2 GHz	25.0 dBi	1.7:1	12.09	14.74	8 DEG.
RA-4540-10	8.2-12.4 GHz	25.0 dBi	1.7:1	8.37	10.20	8 DEG.
RA-4540-15	12.4-18.0 GHz	25.0 dBi	1.7:1	5.72	6.97	8 DEG.
RA-4540-22	18.0-26.5 GHz	25.0 dBi	2.0:1	3.94	4.80	8 DEG.
RA-4540-33	26.5-40 GHz	25.0 dBi	2.0:1	2.68	3.27	8 DEG.

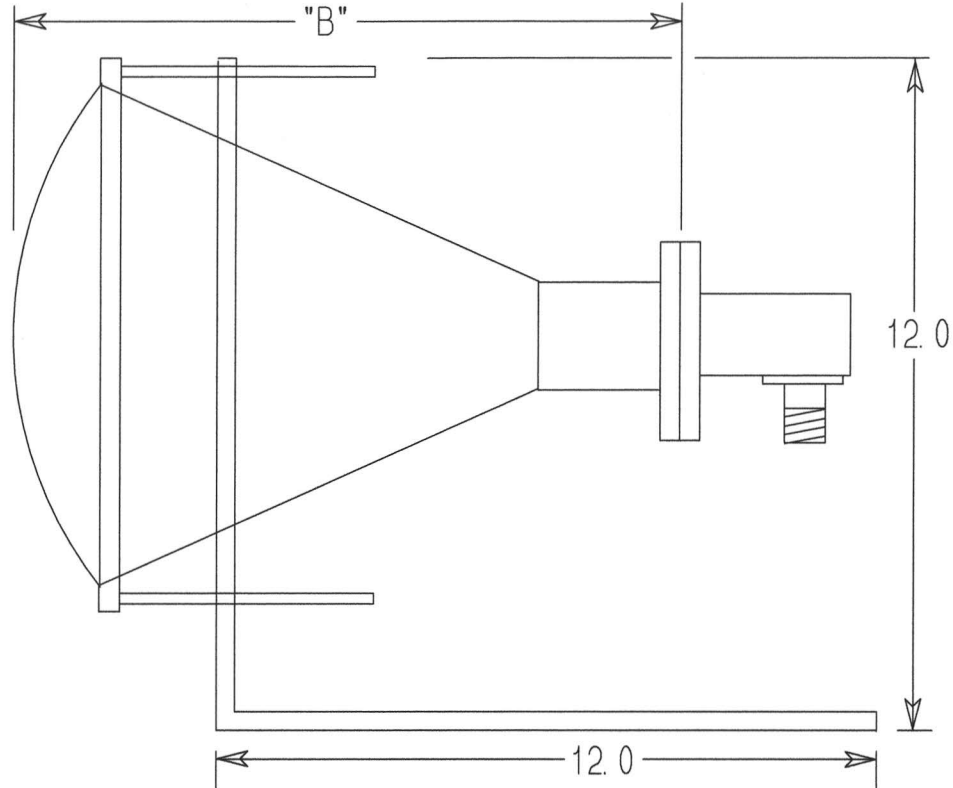
4

3

2

1

REVISIONS				
ZONE	REV	DESCRIPTION	DATE	APPROVED



12.0

UNLESS OTHERWISE SPECIFIED DIMENSIONS ARE IN INCHES TOLERANCES ARE: DECIMALS X = .1 ANGLE X = 1 XX = .01 XXX = .005 DO NOT SCALE DRAWINGS THE INFORMATION CONTAINED WITHIN IS CONSIDERED PROPRIETARY. THIS DOCUMENT IS NOT TO BE USED, REPRODUCED OR DISCLOSED IN PART OR IN WHOLE WITHOUT THE PRIOR WRITTEN PERMISSION OF Rozendal Associates.	CONTRACT NO.		ROZENDAL ASSOCIATES INC. 9530 Pathway St. Santee, Ca. 92071		
	APPROVALS	DATE	TITLE		
DRAWN	G. SKINNER	2-22-05	HORN, CONICAL W/LENS, FLANGE		
CHECKED			SIZE	CAGE CODE	DWG NO
ENGINEERING			B		RA-4540
ISSUED			SCALE	CAGE CODE	REV
				SHEET	OF

4

3

2

1