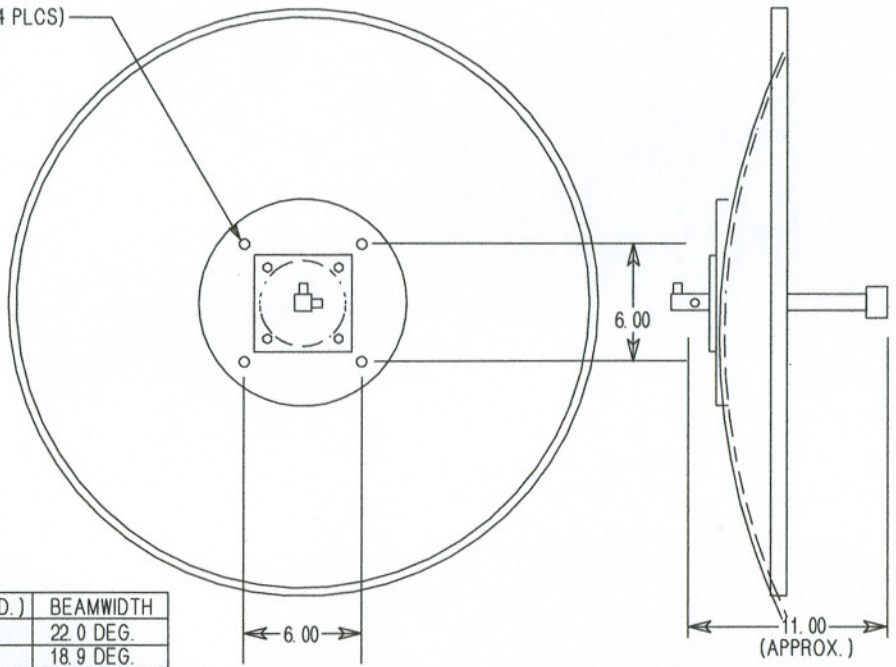


REVISIONS				
ZONE	REV	DESCRIPTION	DATE	APPROVED

1/4-20 (4 PLCS)



PART #	FREQ. (GHz)	V. S. W. R. (Max)	GAIN (MID.)	BEAMWIDTH
-20	1.4-1.7	1.50	17.0 dBil	22.0 DEG.
-21	1.7-2.1	1.50	18.7 dBil	18.9 DEG.
-22	1.9-2.3	1.50	19.2 dBil	17.0 DEG.
-23	2.2-2.5	1.50	21.0 dBil	14.0 DEG.
-24	2.4-2.7	1.50	21.5 dBil	13.0 DEG.
-25	3.5-4.2	1.40	24.5 dBil	9.0 DEG.
-26	4.4-5.0	1.40	26.3 dBil	7.8 DEG.
-27	5.9-6.5	1.40	29.0 dBil	5.8 DEG.
-28	6.5-7.2	1.40	29.7 dBil	5.4 DEG.
-29	7.1-7.7	1.40	30.4 dBil	5.0 DEG.
-30	7.7-8.5	1.40	31.1 dBil	4.5 DEG.
-31	10.7-11.7	1.40	34.0 dBil	3.2 DEG.
-32	11.7-12.7	1.40	34.8 dBil	2.9 DEG.
-33	12.7-13.3	1.40	35.2 dBil	2.8 DEG.
-34	13.5-15.0	1.40	36.1 dBil	2.5 DEG.
-35	14.6-15.35	1.40	36.4 dBil	2.5 DEG.

UNLESS OTHERWISE SPECIFIED
DIMENSIONS ARE IN INCHES
TOLERANCES ARE:
DECIMALS .X = .1
XXX = .01
XXX = .005
DO NOT SCALE DRAWINGS
THE INFORMATION CONTAINED WITHIN
THIS DOCUMENT IS NOT TO BE USED,
REPRODUCED OR DISCLOSED IN PART OR
IN WHOLE WITHOUT THE PRIOR
WRITTEN PERMISSION OF
Rozenal Associates.

CONTRACT NO.		ROZENAL ASSOCIATES INC. 9530 Pathway St. Santee, Ca. 92071	
APPROVALS	DATE	TITLE	
DRAWN: G. SKINNER	9-17-98	ANTENNA ASSY, 2' DUAL LIN., "N"	
CHECKED:		SIZE	DWG NO
ENGINEERING		B	65736
ISSUED		SCALE	CAGE CODE
		NONE	

DATE		TITLE	
9-17-98		ANTENNA ASSY, 2' DUAL LIN., "N"	
SIZE	DWG NO	REV	
B	65736	RA-3960-XX	
SCALE	CAGE CODE	SHEET	OF
NONE		1	1