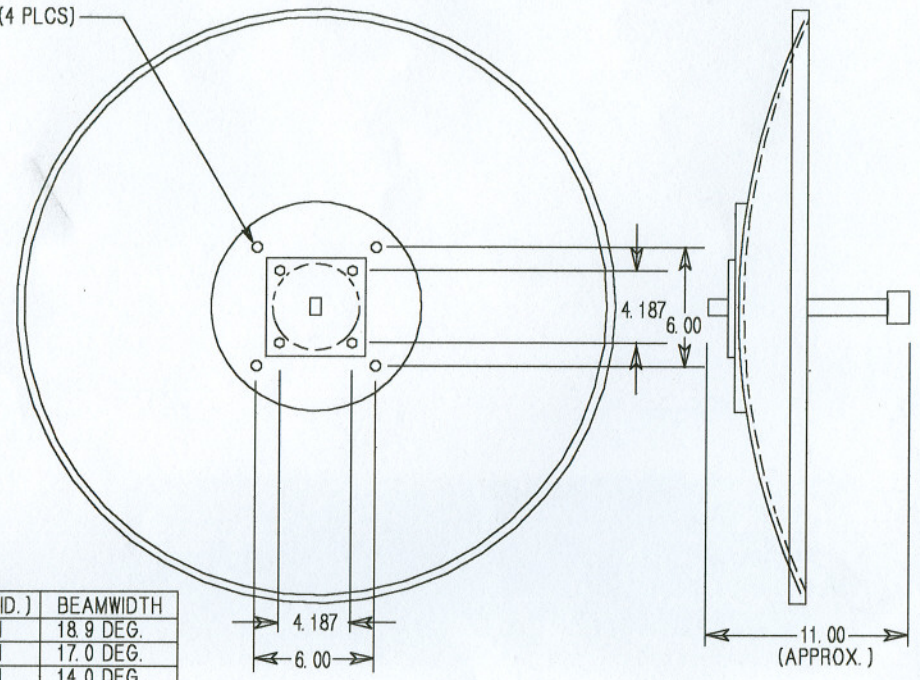


REVISIONS				
ZONE	REV	DESCRIPTION	DATE	APPROVED

1/4-20 (4 PLCS)



PART #	FREQ. (GHz)	V. S. W. R. (Max)	GAIN (MID.)	BEAMWIDTH
RA-3960-12	1.7-2.1	1.50	18.7 dBil	18.9 DEG.
RA-3960-11	1.9-2.3	1.50	19.2 dBil	17.0 DEG.
RA-3960-10	2.2-2.5	1.50	21.0 dBil	14.0 DEG.
RA-3960-9	2.4-2.7	1.50	21.5 dBil	13.0 DEG.
RA-3960-8	3.5-4.2	1.40	24.5 dBil	9.0 DEG.
RA-3960-7	4.4-5.0	1.40	26.5 dBil	7.8 DEG.
RA-3960-6	5.0-5.9	1.40	27.7 dBil	6.5 DEG.
RA-3960-5	5.9-7.2	1.40	29.4 dBil	5.5 DEG.
RA-3960-4	7.1-8.5	1.40	30.8 dBil	4.8 DEG.
RA-3960-13	8.5-10.6	1.40	32.4 dBil	3.8 DEG.
RA-3960-3	10.6-13.3	1.40	34.0 dBil	3.0 DEG.
RA-3960-2	14.4-15.35	1.40	36.4 dBil	2.7 DEG.

<small>UNLESS OTHERWISE SPECIFIED DIMENSIONS ARE IN INCHES TOLERANCES ARE: DECIMALS ANGLES .XX -.01 .XX -1 .XXX -01 DO NOT SCALE DRAWINGS THE INFORMATION CONTAINED WITHIN THIS DOCUMENT IS NOT TO BE USED, REPRODUCED OR DISCLOSED IN PART OR IN WHOLE WITHOUT THE PRIOR WRITTEN PERMISSION OF Rozenal Associates</small>	CONTRACT NO.	ROZENAL ASSOCIATES INC. 9830 Pathway St. Santa Fe, Co. 82071		
	APPROVALS	DATE	TITLE	
	DRAWN G. SKINNER	9-17-98	ANTENNA ASSY, 2' DIA, LINEAR, "N"	
	CHECKED		SIZE B	CAGE CODE 65736
ENGINEERING		SCALE NONE	CAGE CODE	SHEET 1 OF 1
ISSUED				