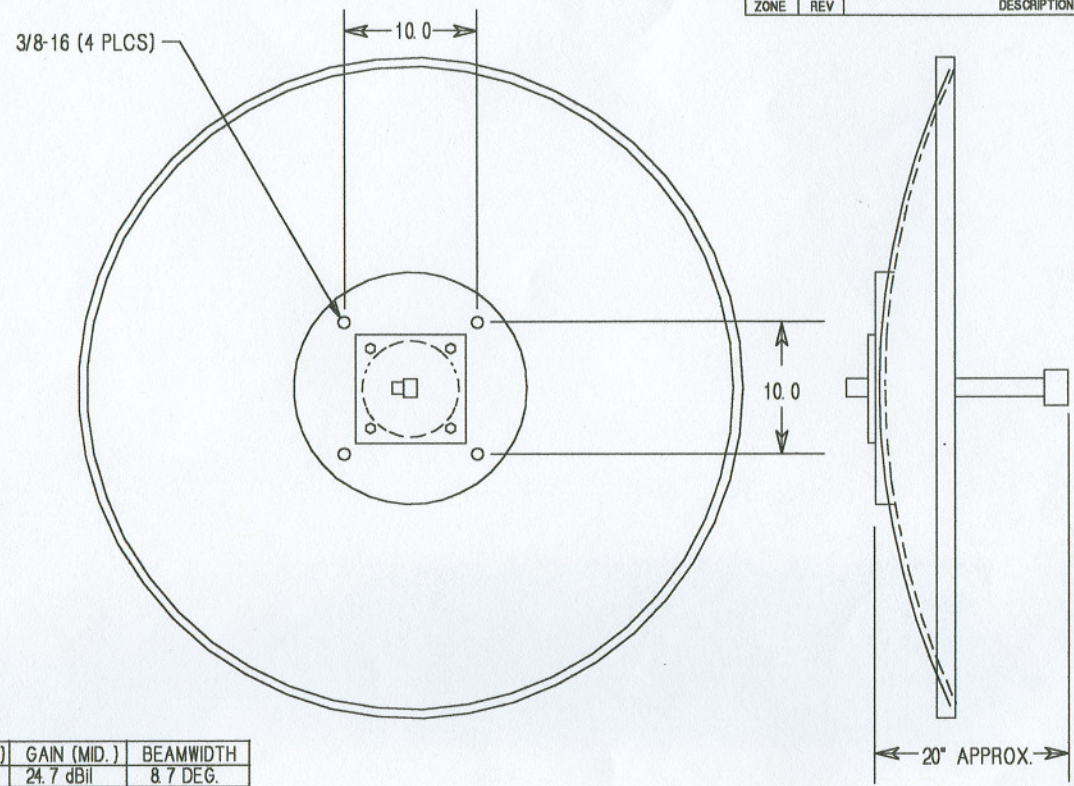


REVISIONS				
ZONE	REV	DESCRIPTION	DATE	APPROVED



PART #	FREQ. (GHz)	V. S. W. R. (Max)	GAIN (MID.)	BEAMWIDTH
RA-4020-1	1.7-2.1	1.40	24.7 dBil	8.7 DEG.
RA-4020-2	1.9-2.3	1.40	25.7 dBil	8.2 DEG.
RA-4020-3	2.2-2.5	1.40	26.9 dBil	7.5 DEG.
RA-4020-4	2.4-2.7	1.40	27.9 dBil	6.8 DEG.
RA-4020-5	3.5-4.2	1.30	31.0 dBil	4.3 DEG.
RA-4020-6	4.4-5.0	1.30	32.8 dBil	3.9 DEG.
RA-4020-7	5.0-5.9	1.30	34.0 dBil	3.2 DEG.
RA-4020-8	5.9-7.2	1.30	35.2 dBil	2.7 DEG.
RA-4020-9	7.1-8.5	1.30	37.2 dBil	2.3 DEG.
RA-4020-13	8.5-10.6	1.30	38.8 dBil	1.9 DEG.
RA-4020-10	10.6-13.3	1.30	39.8 dBil	1.5 DEG.
RA-4020-11	14.4-15.35	1.30	42.0 dBil	1.2 DEG.
RA-4020-12	15.35-17.7	1.30	43.5 dBil	1.2 DEG.
RA-4020-14	17.7-19.7	1.30	44.4 dBil	.9 DEG.

UNLESS OTHERWISE SPECIFIED
DIMENSIONS ARE IN INCHES

TOLERANCES ARE:
 DECIMALS .X - .1 ANGLES .X - .1
 .XX - .01 .X - .1
 .XXX - .005

DO NOT SCALE DRAWINGS

THE INFORMATION CONTAINED HEREIN
IS CONSIDERED PROPRIETARY. THIS
DOCUMENT IS NOT TO BE REPRODUCED
OR DISCLOSED IN ANY MANNER
WITHOUT PERMISSION OF
Rozendal Associates

CONTRACT NO		APPROVALS		DATE
		G. SKINNER		9-17-98
CHECKED		ENGINEERING		
ISSUED				

ROZENDAL ASSOCIATES INC. 9530 Pathway St. San Jose, Ca. 95071				
TITLE		ANTENNA ASSEMBLY, 4' DIAMETER		
SIZE	CAGE CODE*	DWG NO	REV	
B	65736	RA-4020		
SCALE	CAGE CODE*	SHEET 1 OF 1		
NONE				