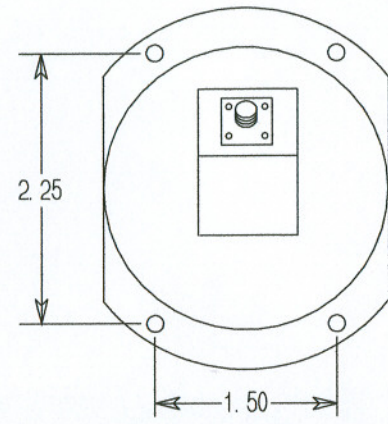
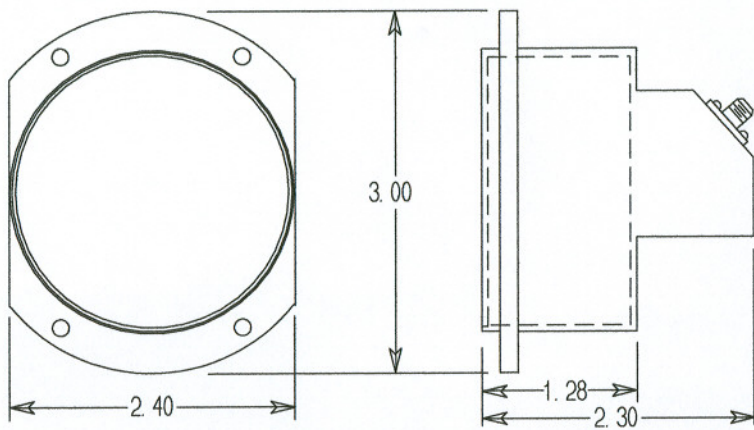


REVISIONS				
ZONE	REV	DESCRIPTION	DATE	APPROVED



DASH #	FREQUENCY	VSWR	GAIN	BEAMWIDTH	AXIAL RATIO	POLARIZATION
		MAX	NOM.	MIN.	MAX.	
-1	2.9-10 GHz	2:1	5 dBic	60 DEG.	2 dB	LHC
-2	2.9-10 GHz	2:1	5 dBic	60 DEG.	2 dB	RHC
-3	2.0-18 GHz	2.5:1	5 dBic	60 DEG.	2 dB	LHC
-4	2.0-18 GHz	2.5:1	5 dBic	60 DEG.	2 dB	RHC
-5	2.0-10 GHz	2:1	5 dBic	60 DEG.	2 dB	LHC
-6	2.0-10 GHz	2:1	5 dBic	60 DEG.	2 dB	RHC

<small>UNLESS OTHERWISE SPECIFIED DIMENSIONS ARE IN INCHES</small> <small>TOLERANCES AND DECIMALS ANGLES</small> <small>X = 1 X = 1</small> <small>XX = 0 X = 0</small> <small>XXX = 0.01</small> <small>DO NOT SCALE DRAWINGS</small> <small>THE INFORMATION CONTAINED WITHIN THIS DOCUMENT IS PROPRIETARY. THIS DOCUMENT IS NOT TO BE USED, REPRODUCED OR DISCLOSED IN PART OR IN WHOLE WITHOUT THE PRIOR WRITTEN PERMISSION OF Rozendal Associates.</small>	CONTRACT NO		ROZENDAL ASSOCIATES INC. 9530 Pathway St. Santee, Ca. 92071			
	APPROVALS		DATE	TITLE		
	DRAWN G. SKINNER		3-16-98	SPIRAL ANTENNA		
	CHECKED	ENGINEERING	ISSUED	SIZE B	CAGE CODE*	DWG NO RA-1470
			SCALE 4/1	CAGE CODE*	SHEET 1 of 1	