

4

3

2

1

REVISIONS				
ZONE	REV	DESCRIPTION	DATE	APPROVED

D

C

B

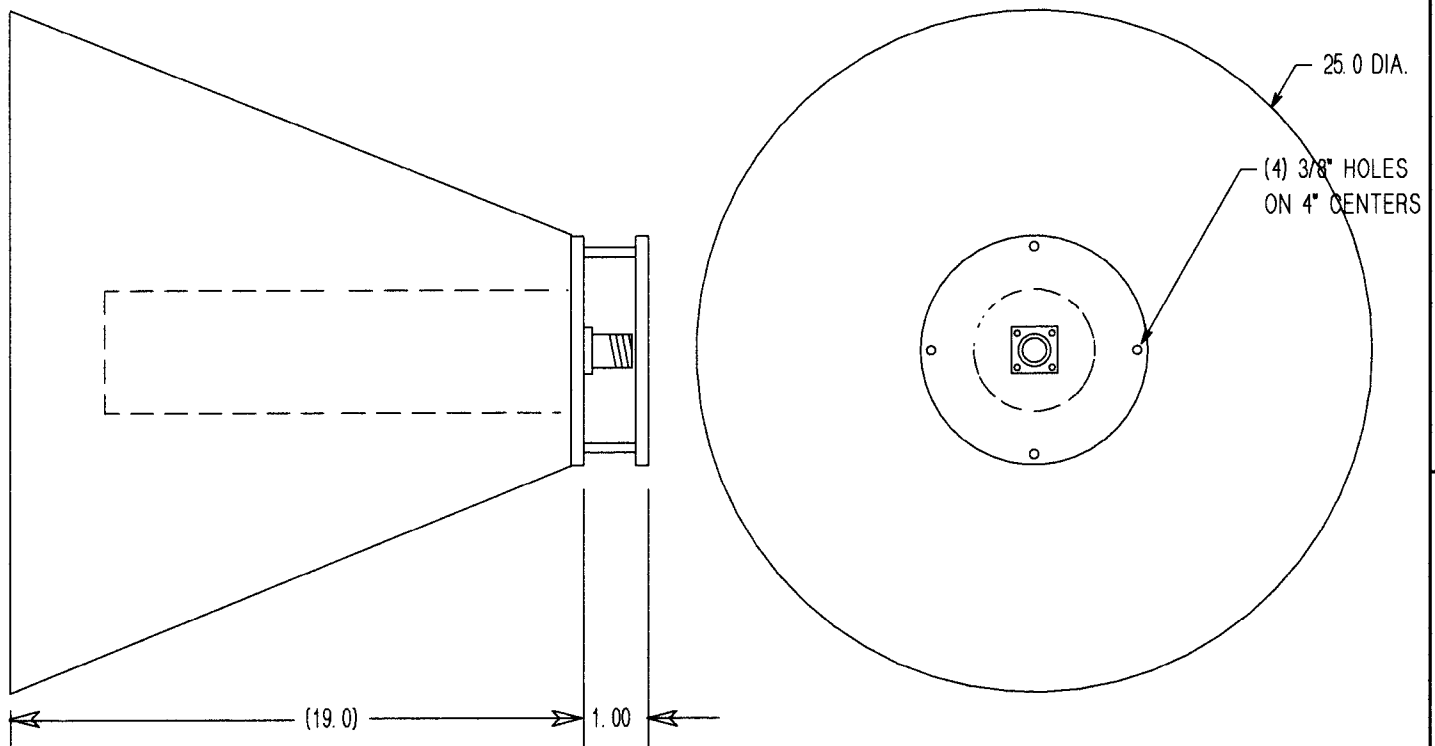
A

D

C

B

A



Frequency : 1.2-1.6 GHz
 Polarization : RHC
 V. S. W. R. : 1.7 or better
 Power : 500 Watts
 Gain : 13 dBi
 Beamwidth : 32 Degrees
 Sidelobe: -30 dB or better
 1. PAINT PER MIL-F-14072 POLYURETHANE TEXTUREDWHITE.
 FED STD 595, COLOR 27875

19.0
 1.00

25.0 DIA.
 (4) 3/8" HOLES
 ON 4" CENTERS

UNLESS OTHERWISE SPECIFIED DIMENSIONS ARE IN INCHES		CONTRACT NO		ROZENDAL ASSOCIATES INC. 8530 Pathway St. Santee, Ca. 92071	
TOLERANCES ARE: DECIMALS X = .01 XXX = .001 DO NOT SCALE DIMENSIONS	ANGLES X = 1	APPROVALS		DATE	TITLE
THE INFORMATION CONTAINED WITHIN THIS DOCUMENT IS NOT TO BE USED, REPRODUCED OR DISCLOSED IN PART OR IN WHOLE WITHOUT THE PRIOR WRITTEN PERMISSION OF Rozendal Associates.		DRAWN G. SKINNER		11-6-15	HELICONE ANTENNA, RHC, "N"
		CHECKED			SIZE B
		ENGINEERING			CAGE CODE 65376
		ISSUED			DWG NO RA-4510-5RN
					REV /
					SCALE NONE
					CAGE CODE
					SHEET 1 OF 1

4

3

2

1