

4

3

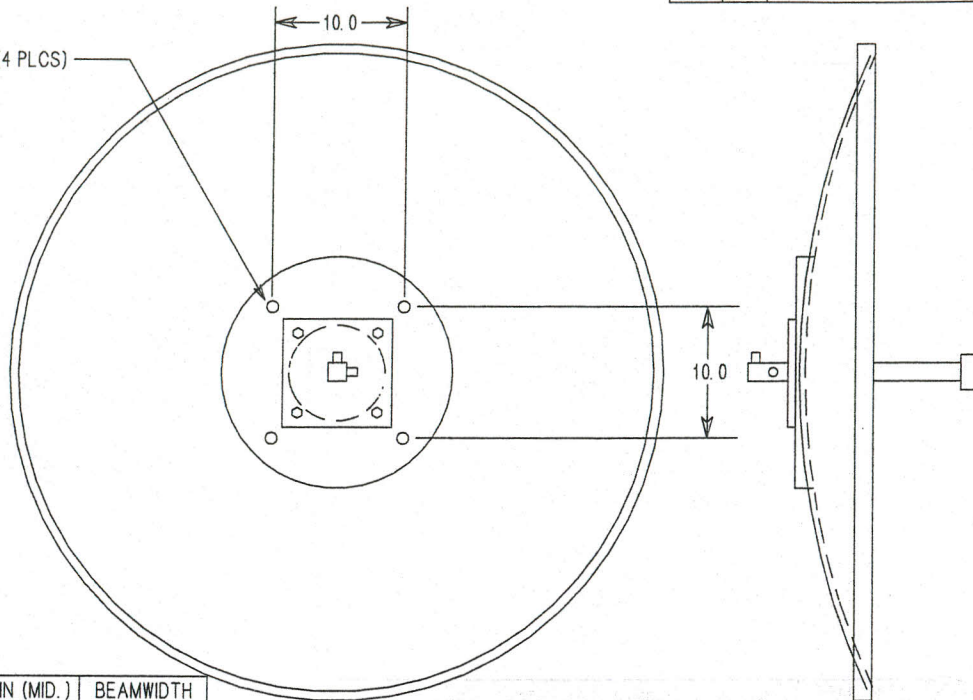
2

1

3/8-16 (4 PLCS)

10.0

REVISIONS				
ZONE	REV	DESCRIPTION	DATE	APPROVED



DASH #	FREQ. (GHz)	V. S. W. R. (Max)	GAIN (MID.)	BEAMWIDTH
-21	1.7-2.1	1.50	24.7 dBil	8.7 DEG.
-22	1.9-2.3	1.50	25.7 dBil	8.2 DEG.
-23	2.2-2.5	1.50	26.9 dBil	7.5 DEG.
-24	2.4-2.7	1.50	27.9 dBil	6.8 DEG.
-25	3.5-4.2	1.50	31.0 dBil	4.3 DEG.
-26	4.4-5.0	1.35	32.5 dBil	3.8 DEG.
-27	5.9-6.5	1.35	35.0 dBil	2.9 DEG.
-28	6.5-7.2	1.35	35.8 dBil	2.7 DEG.
-29	7.1-7.7	1.35	36.4 dBil	2.5 DEG.
-30	7.7-8.5	1.35	37.1 dBil	2.3 DEG.
-31	10.7-11.7	1.35	40.0 dBil	1.6 DEG.
-32	11.7-12.7	1.35	41.0 dBil	1.5 DEG.
-33	12.7-13.3	1.35	41.3 dBil	1.4 DEG.
-34	14.6-15.35	1.35	42.5 dBil	1.2 DEG.
-35	9.0-10.0	1.40	38.5 dBil	1.9 DEG.

UNLESS OTHERWISE SPECIFIED
DIMENSIONS ARE IN INCHES

TOLERANCES ARE:
DECIMALS .X = ±1
ANGLES .X = ±1

XXX-00
DO NOT SCALE DRAWINGS

THE INFORMATION CONTAINED WITHIN
IS CONSIDERED PROPRIETARY. THIS
DOCUMENT IS NOT TO BE USED,
REPRODUCED OR DISCLOSED IN PART OR
IN WHOLE WITHOUT THE PRIOR
WRITTEN PERMISSION OF
Rozenal Associates, Inc.

CONTRACT NO

APPROVALS

CHECKED

ENGINEERING

ISSUED

DATE

9-17-98

ROZENDAL ASSOCIATES INC.

9530 Pathway St. Santee, Ca. 92071

TITLE

ANTENNA ASSY, 4' DUAL LIN., "N"

SIZE

B 65376

CAGE CODE

65376

DWG NO

RA-4020

REV

SCALE NONE

CAGE CODE

SHEET 1

OF 1

4

3

2

1

B

B

A

A