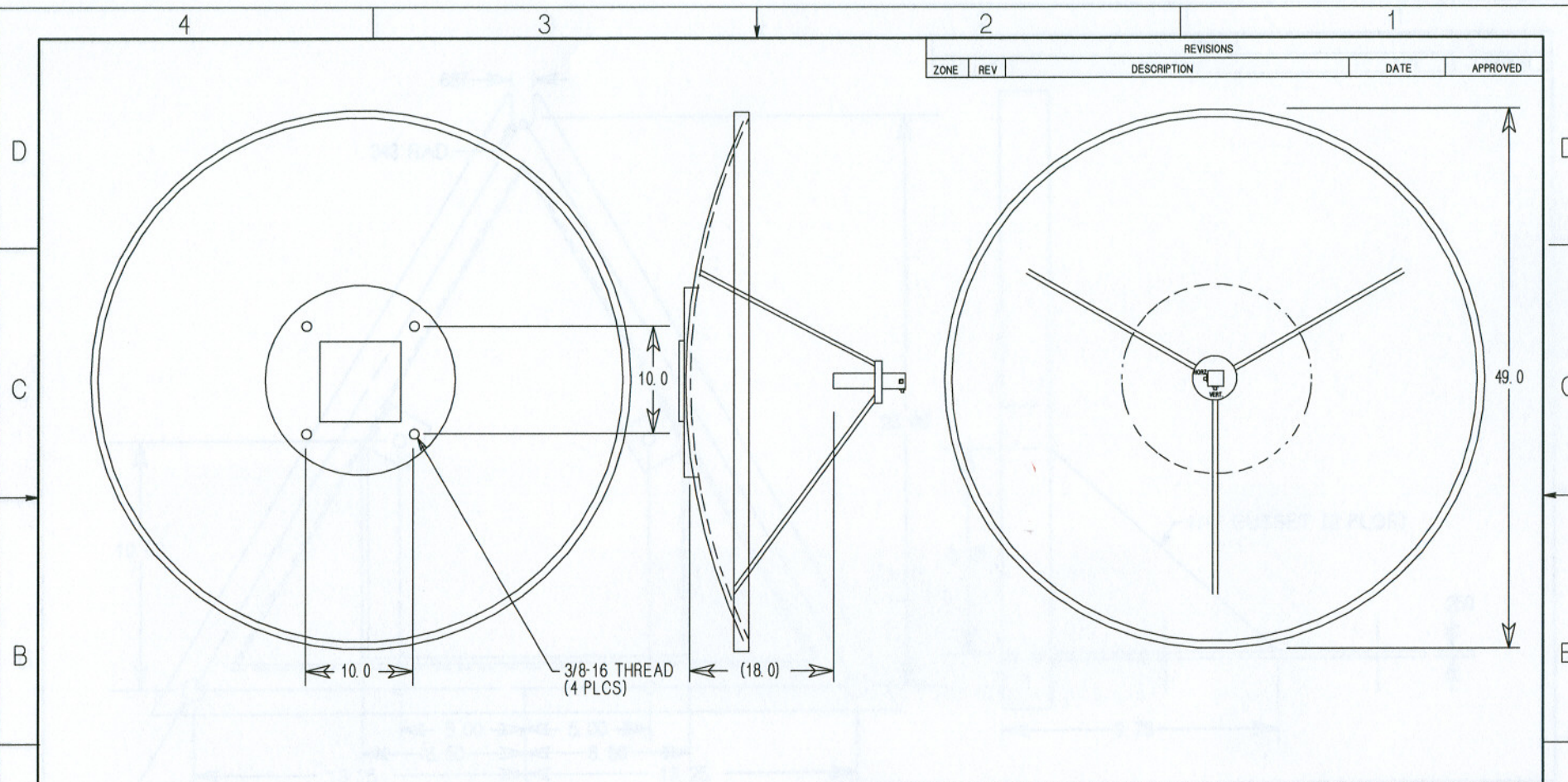


REVISIONS				
ZONE	REV	DESCRIPTION	DATE	APPROVED



PART #	FREQ. (GHz)	V. S. W. R. (Max)	GAIN (MID.)	BEAMWIDTH
RA-4710-41	.5-1.0	3.0:1	16.5 dBi	24 DEG.
RA-4710-42	1.0-2.0	3.0:1	22.5 dBi	12.0 DEG.
RA-4710-43	2.0-4.0	2.5:1	29.0 dBi	6.0 DEG.
RA-4710-44	4.0-8.0	2.5:1	35.0 dBi	3.0 DEG.
RA-4710-45	8.0-18.0	2.5:1	41.0 dBi	1.5 DEG.
RA-4710-46	18.0-26.5	2.5:1	45.7 dBi	.85 DEG.

UNLESS OTHERWISE SPECIFIED DIMENSIONS ARE IN INCHES		CONTRACT NO		ROZENDAL ASSOCIATES INC. 9500 Pathway St. San Jose, Ca. 95071	
TOLERANCES ARE: DECIMALS .X = .1 XX = .05 XXX = .005 DO NOT SCALE DRAWINGS		APPROVALS		DATE	
THE INFORMATION CONTAINED WITHIN IS CONSIDERED PROPRIETARY. THIS DOCUMENT IS NOT TO BE USED, REPRODUCED OR DISCLOSED IN PART OR IN WHOLE WITHOUT THE PRIOR WRITTEN PERMISSION OF Rozendal Associates.		DRAWN G. SKINNER		6-23-03	
		CHECKED		TITLE	
		ENGINEERING		ANTENNA, 4' DIAMETER, WIDE BAND	
		ISSUED		SIZE B	
				CAGE CODE 65376	
				DWG NO RA-4710-X	
				SCALE NONE	
				SHEET 1 OF 1	